

GRANULAR ACTIVATED CARBON 1230C

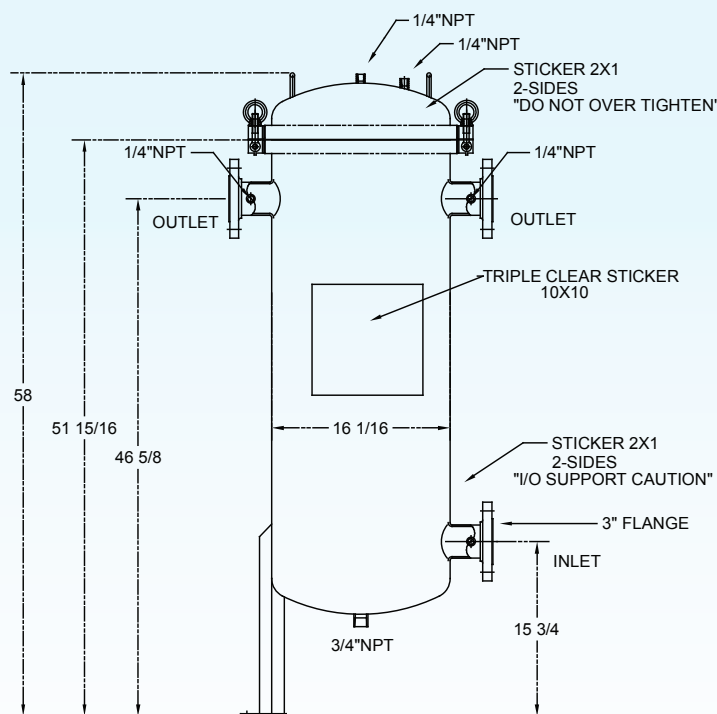
HARD, DURABLE & HIGHLY EFFICIENT

Designed for your mission critical water needs, Triple Clear's CR1230C-WW is a water-washed granular activated carbon produced from coconut shell by a high temperature activation process under stringent quality control. Water-soluble ash constituents have been greatly reduced by the washing process. It has a large surface area, excellent attrition resistance, large pore volume, and chemical stability.

Specifications

US Standard Sieve Mesh Size: Greater than 12 Less than 30	12x30 5% maximum 5% maximum
Iodine Number (mg/g)	1100 minimum
Hardness Number	98 minimum
Moisture (as packed)	5% maximum
Apparent Density (g/cc)	0.49 typical
Total Ash	<2% typical
Water Soluble Ash	Less than 0.5%
pH	8.0-8.5 typical

Packaged in pre-designed mess-free mesh bags. All of the above test methods are performed by ASTM protocols for granular activated carbon NSF/ANSI certified, NSF/ANSI 61



66 lb. carbon media capacity and 100K gallon estimated life under normal operation, based on standard adsorption rates and 10ppm organics.

FEATURES:

- High adsorption capacity and efficiency
- Hard and durable
- Highly developed pore structure

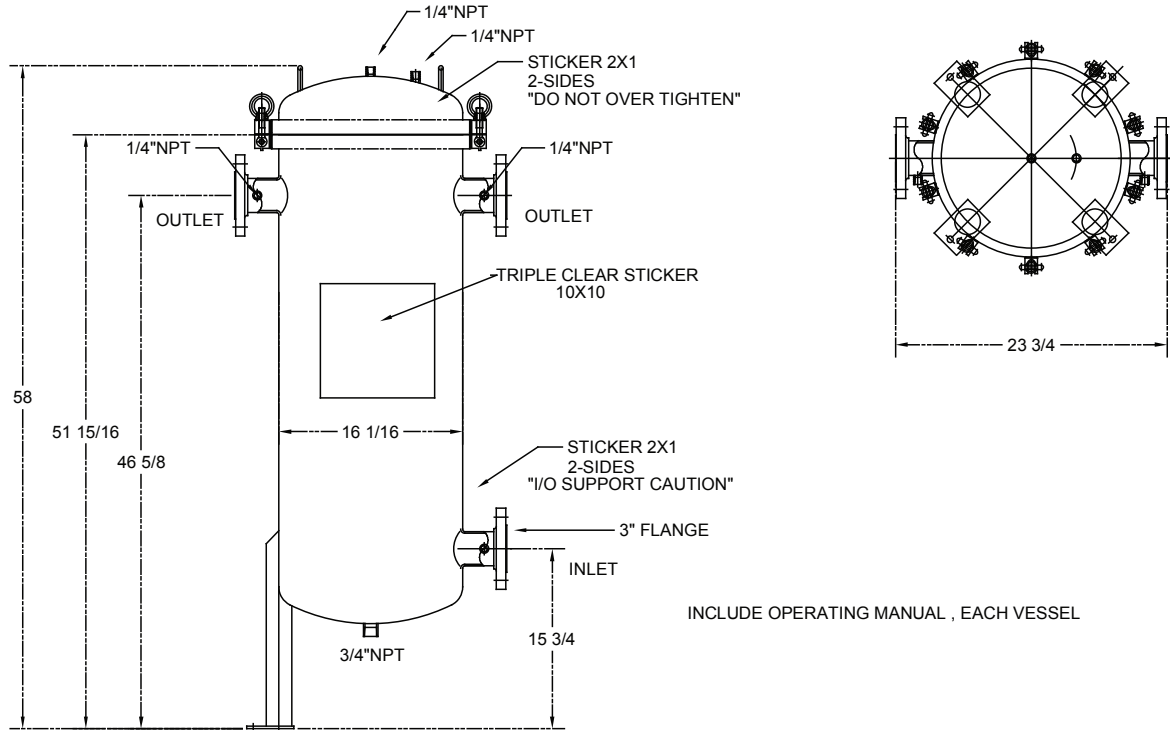
GRANULAR ACTIVATED CARBON 1230C

General Product Information for the Triple Clear 60L Carbon Vessel

Material of Construction:	304 Stainless Steel
Overhead Clearance:	65"
Media Replacement:	(See O&M Manual)
Number of Carbon Bags:	5-6 Bags
Pressure Drop Across the Unit:	2 psid

TCWS CARBON BAG VESSEL

REVISIONS			
LTR	DESCRIPTION	DATE	APPROVAL
0	new		



INCLUDE OPERATING MANUAL , EACH VESSEL

MAWP 150 PSI @ 200F

SHIPPING WEIGHT 200LBS

THIS REPRODUCTION IS A PROPRIETARY DESIGN AND CONFIDENTIAL INFORMATION OF UP STRAINRITE INC. AND IS LOANED SUBJECT TO THE CONDITIONS THAT: (1) IT SHALL BE USED OR CAUSED TO BE USED FOR RECORD AND REFERENCE PURPOSES; (2) IT SHALL NOT BE USED OR CAUSED TO BE USED FOR PROCUREMENT IN ANY WAY PREJUDICIAL TO UP STRAINRITE INC. INTERESTS; (3) IT SHALL NOT BE REPRODUCED OR COPIED IN WHOLE OR IN PART; AND (4) IT SHALL NOT BE DISCLOSED AS GENERAL OR SPECIFIC INFORMATION WITHOUT EXPRESSED CONSENT IN WRITING SIGNED BY AN AUTHORIZED REPRESENTATIVE OF UP STRAINRITE INC.

UNLESS OTHERWISE SPECIFIED DIMENSIONS ARE IN INCHES. TOLERANCES ARE AS FOLLOWS:
 FRACTION ± 1/8 ANGLES ± 1°
 XX = ± .020 XXX = ± .005
 MATERIAL: 304SS

CVRW-60-3F-B-20	
DRAWN BY: DCB	TRIPLE CLEAR
DATE: 5-11-20	
APPROVAL:	
DMG #: 353895	SCALE: XX REV 0 SHEET 1 OF 1 C